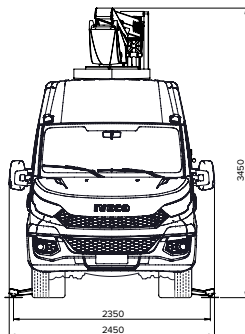
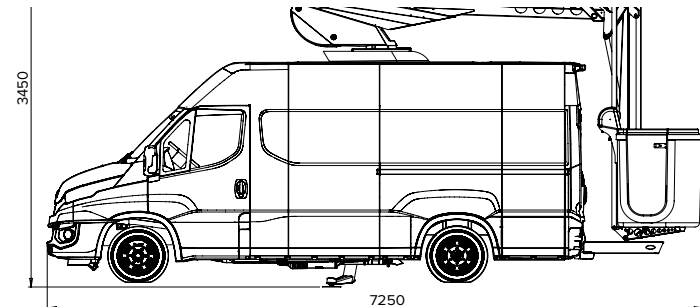


Max. lateral outreach 230kg	6.5m
Max. lateral outreach 120kg	8.9m
Tail swing	Inside vehicle mirrors
Control type	Digital
Gross payload Indicative of standard platform, no options	1840kg
Net payload Indicative of 2 persons in vehicle	1680kg



**FEATURES**

- *E-Drive* – our self-charging hybrid electric system
  - CAN bus control system with remote connectivity
  - ‘Fit and forget’ bushes – no greasing required
  - Operator feedback for fault diagnostics
  - Ergonomic curved basket for greater space
  - Insulated harness anchors for low voltage protection
  - Auxiliary electric power pack in case of main pump failure
  - Ground controller with 5m of wander lead.
- ... Other options available on request.

