



HAWK V125

Mounted onto an MAN tge 3.5t Van Long Wheelbase High Roof



12.5m



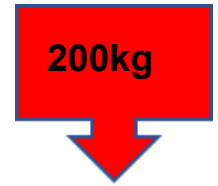
7.0m



360 deg



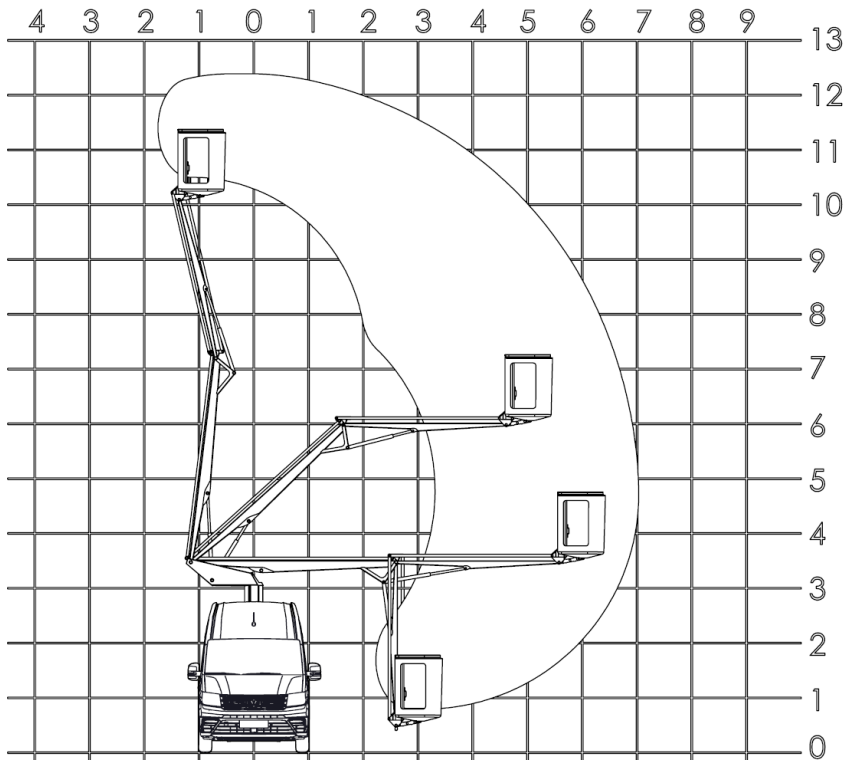
200kg



HAWK V FEATURES

- Reverse Articulated Boom Configuration
- Live Hydraulic Controls in the Cage
- Great Payload in the Vehicle compared to other Manufacturers
- Great Space in the Vehicle
- Greater Outreach
- 2-Man GRP Composite Bucket with Insulating Harness Anchors
- E drive (Self charging hybrid system)
- Ground Controller Electric c/w 5m of Wanderlead
- 360deg Slew Rotation

- Manufactured to ISO EN280:2013 rev2
- Auxiliary Electric Power Pack for Raise and Lower
- Auxiliary Hand pump for Raise and Lower of Booms and Stabilisers
- Engine Start/Stop at Bucket and Ground
- Emergency Stops
- GRP Composite components Fitted for Fuel Saving
- True Great British Designed and Built Aerial Device
- Many Options on request



ALDERCOTE LIMITED
 Woodhouse Street, Kingston upon Hull. HU9 1RJ
 United Kingdom
 Tel:- +00 44 (0)1482 222377 email:-sales@aldercote.com
www.aldercote.com

We reserve the right to amend and change specifications at any time

