

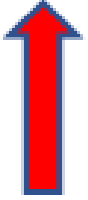


HAWK V125

Mounted onto a Ford Transit L3H2 3.5t Van



12.5m



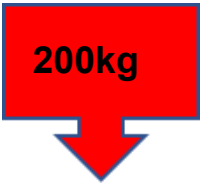
7.2m



360 deg



200kg



HAWK V FEATURES

Reverse Articulated Boom Configuration

Live Hydraulic Controls in the Cage

Great Payload in the Vehicle compared to other Manufacturers

Great Space in the Vehicle

Greater Outreach

2-Man GRP Composite Bucket with Insulating Harness Anchors

E drive (Self charging hybrid system)

Ground Controller Electric c/w 5m of Wanderlead

360deg Slew Rotation

Manufactured to ISO EN280:2013 rev2

Auxiliary Electric Power Pack for Raise and Lower

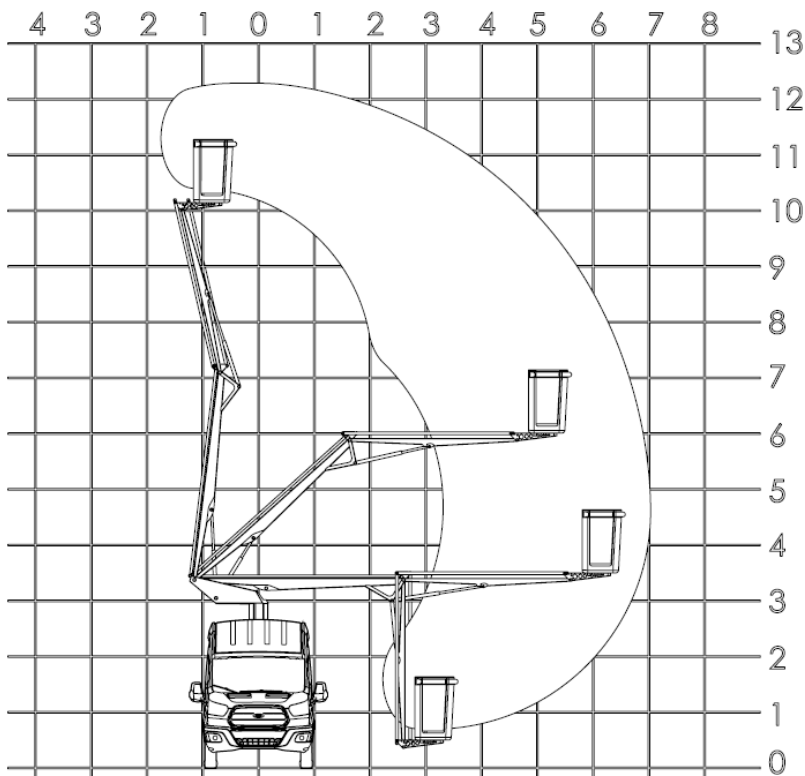
Auxiliary Hand pump for Raise and Lower of Booms and Stabilisers

Emergency Stops

GRP Composite components Fitted for Fuel Saving

True Great British Designed and Built Aerial Device

Many Options on request



ALDERCOTE LIMITED

Woodhouse Street, Kingston upon Hull. HU9 1RJ
United Kingdom

Tel:- +00 44 (0)1482 222377 email:-sales@aldercote.com

www.aldercote.com



We reserve the right to amend and change specifications at any time