

TELESCOPIC DIGGER DERRICK / AERIAL DEVICE

Altec's DL42B features an added material Handling package

Also can be fitted with a Boom Tip or Turret Winch giving maximum lifting capacity

A ROBUST DESIGN for increased versatility and maneuverability for Construction & maintenance work.



FEATURES

- Insulating, ANSI *46kv and below* Dielectric Rating
- Hydraulically Extending Full Capacity Fibreglass Upper Boom
- Continuous Rotation c/w HC worm Drive Gearbox
- Operation Work Station at Rear
- 15,000lbs capacity Turntable Winch
- Five Function Hydraulic Overload Protection System
- Fibreglass boom tip & Transferable steel flares for Pole Setting
- Hydraulic tilting Pole Guide c/w interlocks

OPTIONS

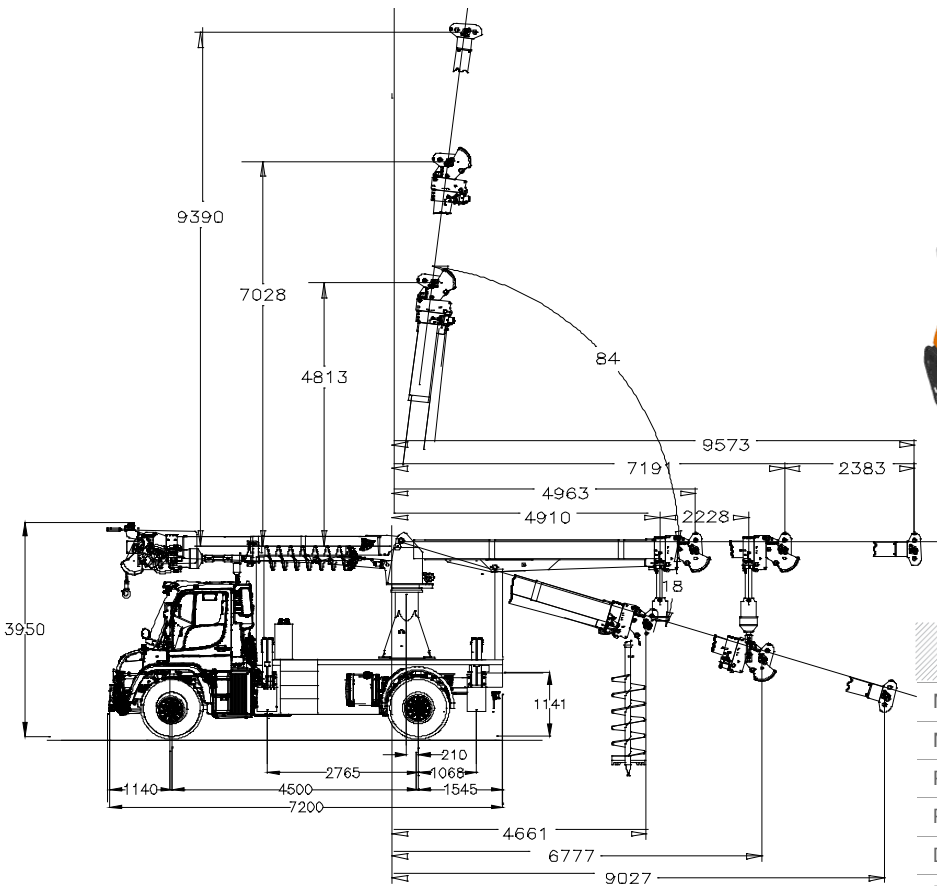
- Emergency Pump run function on engagement of PTO
- Boom Tip Winch
- Radio Controls
- Side Load Protection
- RotaFloat for Setting Screw Anchors
- GRP Personnel Bucket
- Set of spreaderfeet
- Many others on request

Altec DL42B

TELESCOPIC DIGGER DERRICK



UNIT MEETS OR EXCEEDS ANSI A10.31-1995 STANDARDS AND ALSO THE NEW EUROPEAN EN61057



SPECIFICATIONS

Max. Lift Capacity (kg)	13608
Max. Capacity at 10' radius (kg)	4663
Pole Sheave Height (m)	12.6
Reach (m)	9.6
Dig Radius Min / Max (m)	4.3 / 6.5
Boom Articulation (deg)	-18 to 84

ALD-AT33-2016 rev01

PLEASE NOTE THAT SOME PICTURES USED ARE OF DIFFERENT SIZES OF DIGGER DERRICKS